



PYTHON LINE SETS

The Next Evolution of Line Sets.

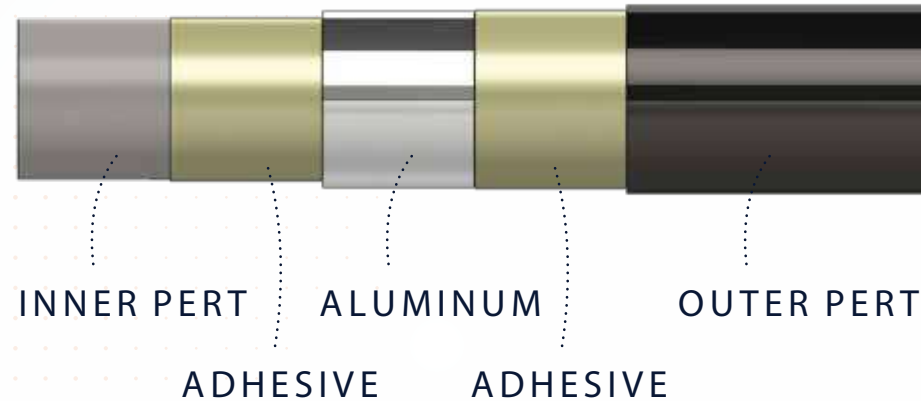


Gastite Line Set Innovation

- Gastite focused our innovation efforts into developing an alternative to copper line sets for HVAC applications
- Our solution is a multilayer PE-RT / Aluminum / PE-RT tube with custom compression fittings
- Multilayer PE-RT/AL/PE-RT pipe is a product that is commonly manufactured in Europe for various water conveyance applications (potable water, in floor heat, irrigation)



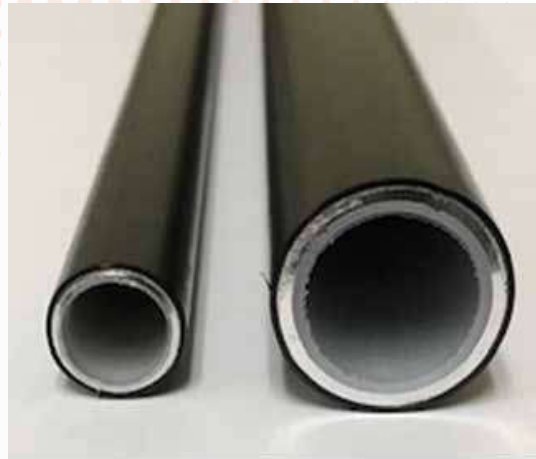
Python PE-RT/AL/PE-RT Line Set Design



PE-RT/AL/PE-RT Multilayer Composite Pipe Construction:

- Inner layer of Natural PE-RT (polyethylene of raised temperature)
- Natural PE-RT material has excellent chemical resistance
- Adhesive Layer
- Aluminum layer

- Roll formed and butt-welded AL alloy
- Adhesive Layer
- Outer layer of PE-RT (polyethylene of raised temperature)
- Contains carbon black yielding excellent UV resistance



Python Features and Benefits

- Pricing is competitive and more stable than copper line set pipe pricing
- Good flexibility that is less likely to kink with reduced stress hardening
- Lighter weight than copper pipe
- Chemical and UV resistant
- Less likely to be stolen on job sites
- Compression crimp fittings can be applied in the field without the use of special press tools



Python Line Set Offering



- Available pipe sizes: 1/4", 3/8", 1/2", 5/8", 3/4", 7/8"
- Maximum Design Pressure:
 - 700psi for 1/4", 3/8", 1/2", 5/8", 3/4" sizes
 - 650psi for 7/8" sizes
- Maximum Design Temperature: 203°F
- Approved Refrigerants: R410a, R32, R454b
- Pipe and compression fitting system designed for both Split System and Minisplit System applications
- Insulated and non insulated pipe product
- Coil lengths: 50' and 300'
- Product Tested and Listed to ASTM F3506-21 standard specification

Python - Insulation



Properties	Values
Maximum Use Temperature	220 F (104 C)
Minimum Use Temperature	-297 F (-183 C)
Density	1.2 to 2.0 PCF Nominal
Flame/Smoke	Less than 25/50 (ASTM E-84)
	Up to 1" wall thickness (coated)
	Passes MVSS302
Color	Black/white
Compressive Strength @ 25% (Foam)	3.5-5 PSI
Tensile Strength (Foam)	30 PSI
Elongation (Foam)	150%
Thermal Stability	Less than 3% Linear shrinkage
Odor Emission	No objectionable odor
Weather Resistance	Passes ASTM C1775

For HVAC Commercial and Residential

- Closed Cell Insulation
- Proprietary Blend Coating for UV and Outside Tear Resistance
- For Outdoor Applications
- Completely Recyclable
- High Tear Resistance
- Flexible Year-Round Pipe Protection from Freezing and Condensation

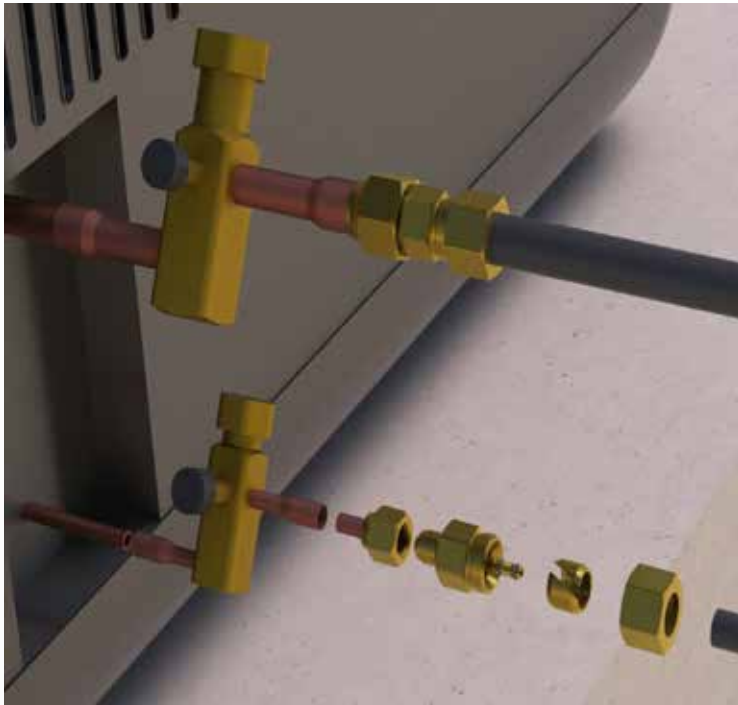
- Resistant to Mold Growth
- Non-Porous
- Fiber-Free
- Very Low Water Vapor Permeability - No Additional Vapor Barriers Required
- Manufactured without CFCS, HCFCs, HFCs, PBDEs and Formaldehyde
- Indoor Air Quality: Low VOC, Fiber-Free, Non-Particulating, Formaldehyde-Free Insulation

Python - Fitting Applications



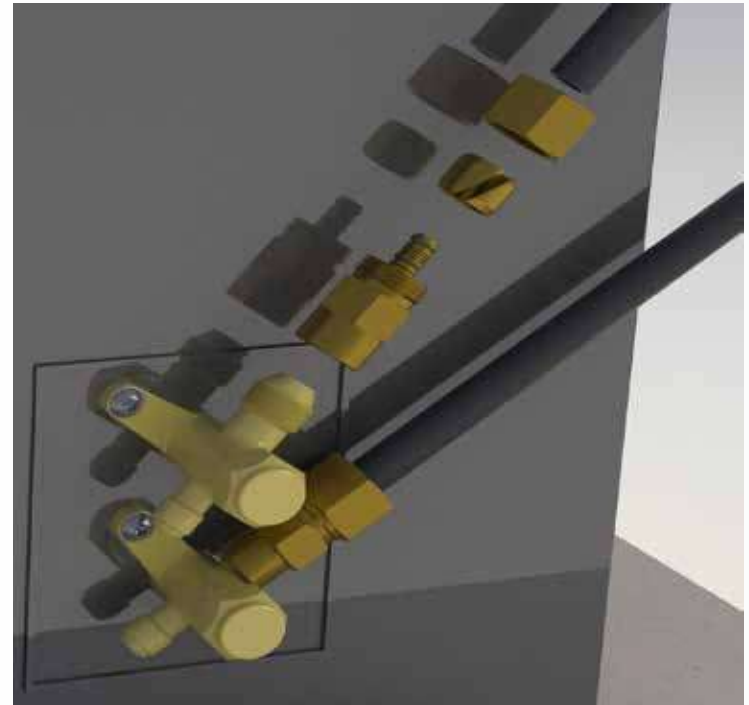
Split System Connection

Compression fitting connection to the Line Set pipe with a flared threaded male connection to flare nut on brazed copper stub



Minisplit System Connection

Compression fitting connection to the Line Set pipe with a flared female threaded connection to king valve



Python - Line Set Accessories



Python Pipe Cutter



Python Chamfer Tools



Other Tools

- Torque Wrench
- Adjustable Wrench • Tube Bender



Python Bend Tool Guide

Python Pipe Size	Bend Tool Size	Bend Tool Type
1/4"	1/2"	Ratchet or Lever
3/8"	1/2"	Ratchet or Lever
1/2"	5/8"	Ratchet or Lever
5/8"	3/4"	Ratchet or Lever
3/4"	7/8"	Ratchet or Lever
7/8"	1"	1" EMT Conduit, 1" Lever, 1 1/8" Ratchet





sales.intl@teksolgroupsolutions.com

www.teksolgroupsolutions.com

+1 (954) 471 0911

